

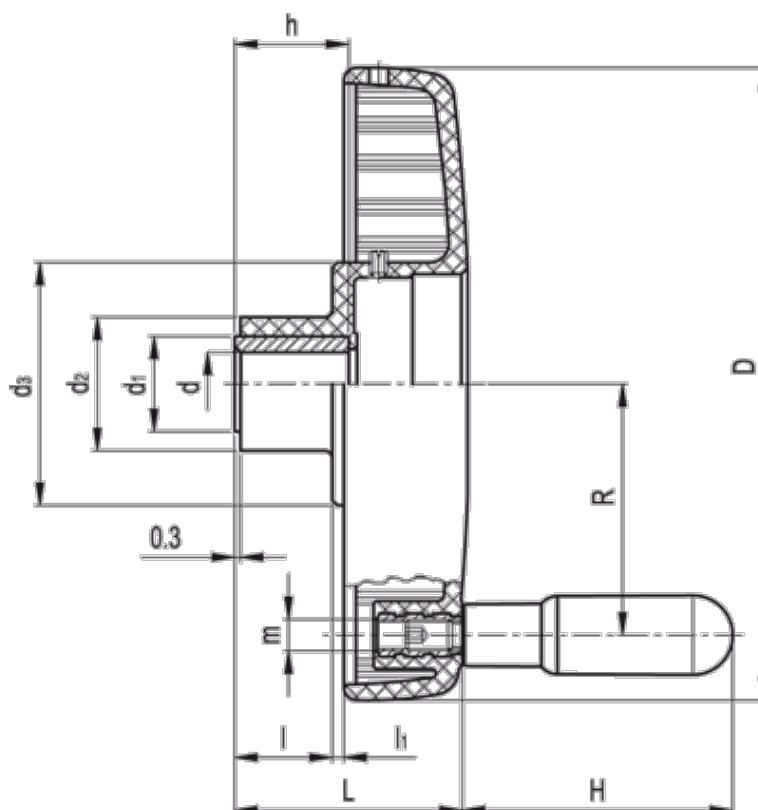
# Data Sheet



Article number: 2307034021

Description: E+G Handwheel  
VDSC.125-GXX2 A-10+I

## Measures



D	= 125	L	= 63
d1	= 22	l1	= 14
d2	= 35	m	= M8
d3	= 76	R	= 48.5
d H7	= 10	Weight (g)	= 290
H	= 65		
h	= 22		
l	= 22		